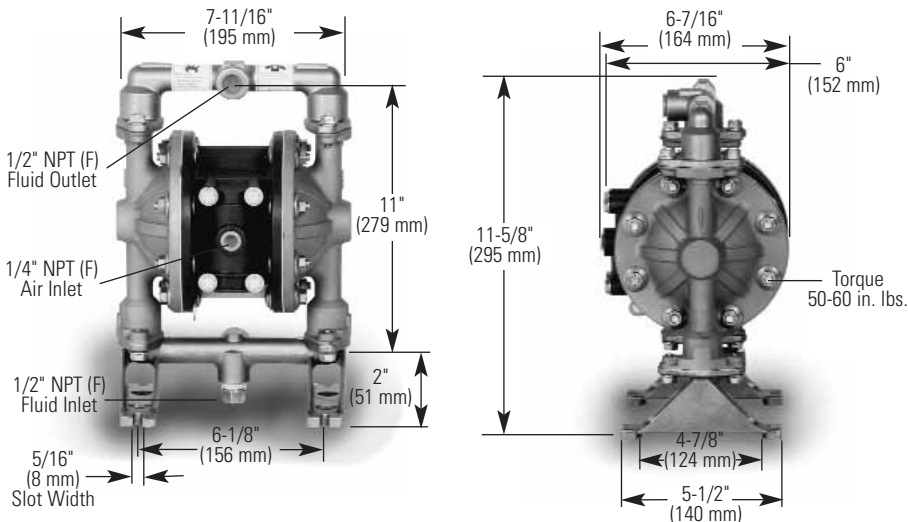


Gemini 1/2" Diaphragm Pumps

Max. Flow – Pump #818830 (SS), #818832 (Polypro), #818833 (Polypro), #818836 (Acetal), #818837 (Alum),
 Low Pulse – #818831 (Acetal), #818834 (SS), #818835 (Polypro), #818838 (Alum)



NOTE: Stainless Steel Pump Shown. Groundable Acetal and Polypropylene have 4 inlets and 4 outlets

Gemini Bare Pumps 1/2", Low Pulse

MODEL	SIZE	RATIO	GPM PER CYCLE	GPM @ 60 CPM	GPM @ MAX. CPM	BODY	WETTED MATERIAL CONSTRUCTION		
							SEATS	BALLS	DIAPHRAGMS
818831	1/2"	1:1	0.02	1.2	7	Acetal	SS	SS	Teflon
818834	1/2"	1:1	0.02	1.2	7	SS	SS	SS	Teflon
818835	1/2"	1:1	0.02	1.2	7	Polypro	SS	Santo	Santoprene
818838	1/2"	1:1	0.02	1.2	7	Alum	SS	SS	Teflon

Gemini Bare Pumps 1/2", Max. Flow

MODEL	SIZE	RATIO	GPM PER CYCLE	GPM @ 60 CPM	GPM @ MAX. CPM	BODY	WETTED MATERIAL CONSTRUCTION		
							SEATS	BALLS	DIAPHRAGMS
818830	1/2"	1:1	0.04	2.4	13	SS	SS	SS	Teflon
818832	1/2"	1:1	0.04	2.4	13	Polypro	SS	Santo	Santoprene
818833	1/2"	1:1	0.04	2.4	13	Polypro	SS	SS	Teflon
818836	1/2"	1:1	0.04	2.4	13	Acetal	SS	SS	Teflon
818837	1/2"	1:1	0.04	2.4	13	Alum	SS	SS	Teflon

Available Accessories

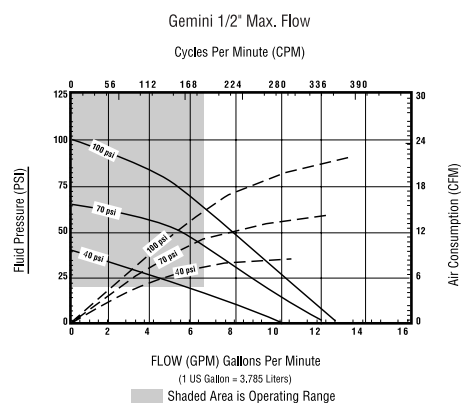
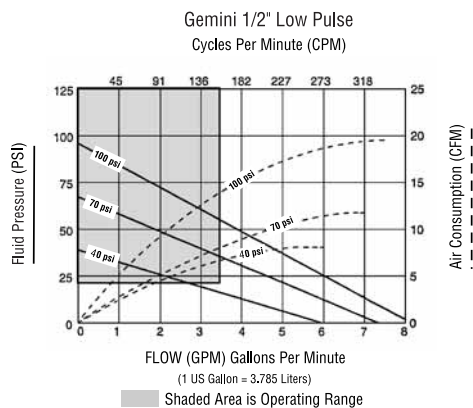
Air Filter/Regulator..... 849303
 Wall Mount Bracket 873116
 Siphon 5 ft. hose w/fluid filter (5 gal) 874504

Performance – 100 PSI

Air Inlet Pressure 20 - 100 PSI (1 - 6.9 bar)
 Fluid Pressure 20 - 100 PSI (1 - 6.9 bar)
 Max. Flow Rate (Flooded Inlet)
 Standard Stroke
 SS and Polypropylene 13-GPM (49.2 lpm)
 Short Stroke
 Groundable Acetal 7-GPM (26.5 lpm)
 Max. Particle Size 3/32" Dia (2.4 lpm)
 Max. Temperature Limits
 Stainless Steel 200° F (93° C)
 Groundable Acetal..... 180° F (82° C)
 Polypropylene..... 150° F (66° C)
 Flows @ 60 Cycles/Min.
 Standard Stroke 2.4 Gal (9 liters)
 Short Stroke 1.32 Gal (5 liters)
 Cycles Per Gallon (Liter)
 Standard Stroke..... 25(6.6)
 Short Stroke 45.5(512)
 Displacement Per Cycle - Standard Stroke
 9.24 cu. in. (151.4 cm³)
 5.12 oz. (151.4 ml)
 .040 gal..... (.15 liter)
 Short Stroke
 5.08 cu. in. (83.3 cm³)
 2.8 oz. (83.3 ml)
 .022 gal..... (.08 liter)
 Noise Level with muffler
 @ 70 PSI @ 60 Cycles/Min..... 71.1 db(A)

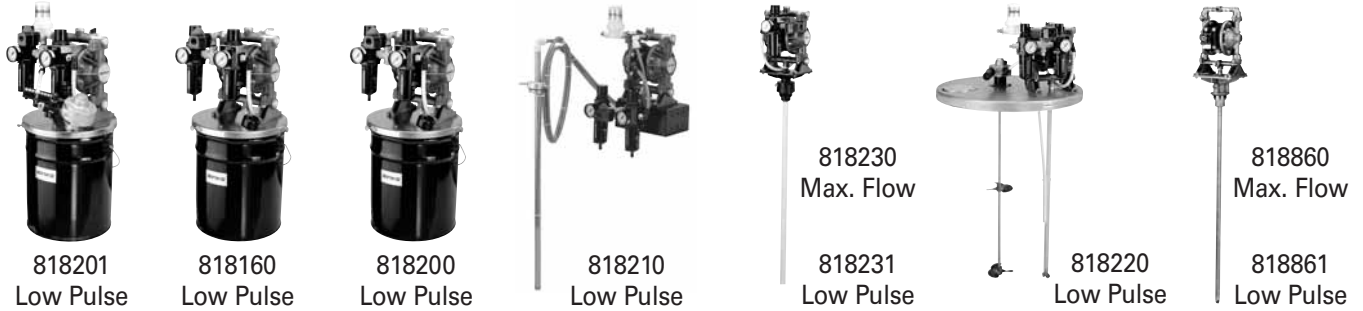
Part Numbers

Air Motor Repair Kit..... 862004
 Diaphragm Repair Kit
 Stainless Steel..... 862040
 Groundable Acetal 862040
 Polypropylene 862040
 Ball and Seat Repair Kit
 Stainless Steel (Ball/Seat) 862045
 Teflon (Ball) SS (Seat) 862046



Gemini 1/2" Diaphragm Pump Packages

For Wood and Office Furniture, Commercial Equipment, Metal Fabrication, Metal Maintenance and Cabinet Shops



Gemini Pump Packages 1/2", Low Pulse – 100 PSI

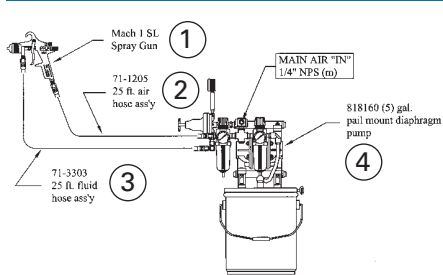
PACKAGE NUMBER	BARE PUMP NUMBER	WETTED PARTS	RATIO & SIZE	GPM @ 60 CPM	MOUNTING	AIR ■ REGLTRS.	SUCTION HOSE W/BUNG ADAPT.	AGITATOR	PRIME VALVE ▼	PULSE/FILTER ◆	FLUID REG. ▶
818160	818831	acetal, Teflon	1:1, 1/2 NPT	1.2	pail	2	pail	0	0	0	1
818171 ●	818834	SS, Teflon	1:1, 1/2 NPT	1.2	55 bung	1	NR ▲	0	0	0	1
818200	818831	acetal, Teflon	1:1, 1/2 NPT	1.2	pail	2	pail	0	1	1	0
818201	818831	acetal, Teflon	1:1, 1/2 NPT	1.2	pail	2	pail	843000	1	1	0
818210	818831	acetal, Teflon	1:1, 1/2 NPT	1.2	wall	2	55 gallon	0	1	1	0
818220	818831	acetal, Teflon	1:1, 1/2 NPT	1.2	55 drum cover	2	55 gallon	843001	1	1	0
818231	818831	acetal, Teflon	1:1, 1/2 NPT	1.2	55 bung	1	NR ▲	0	0	0	0
818861	818834	SS, Teflon	1:1, 1/2 NPT	1.2	55 bung	0	NR ▲	0	0	0	1

Gemini Pump Packages 1/2", Max. Flow – 100 PSI

PACKAGE NUMBER	BARE PUMP NUMBER	WETTED PARTS	RATIO AND SIZE	GPM @ 60 CPM	MOUNTING	AIR ■ REGLTRS.	SUCTION HOSE W/BUNG ADAPT.	AGITATOR	PRIME VALVE ▼	PULSE/FILTER ◆	FLUID REG. ▶
818150 ●	818830	SS, Teflon	1:1, 1/2 NPT	2.4	wall	2	0	0	0	0	1
818211	818836	acetal, Teflon	1:1, 1/2 NPT	2.4	wall	2	55 gallon	0	0	0	1
818170 ●	818830	SS, Teflon	1:1, 1/2 NPT	2.4	55 bung	1	NR ▲	0	0	0	1
818230	818836	acetal, Teflon	1:1, 1/2 NPT	2.4	55 bung	1	NR ▲	0	0	0	0
818860	818830	SS, Teflon	1:1, 1/2 NPT	2.4	55 bung	0	NR ▲	0	0	0	1

▲ Not Recommended ● Not Shown ■ 849303 ▼ 873414 ◆ 841010 ▶ 84-320

Gemini 1/2" Low Pulse Spray Outfits



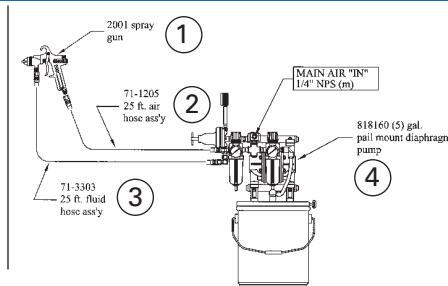
MODEL #98-3022

SYSTEM COMPONENT LIST

Item No.	Part No.	Description	Qty.	Part Sheet
1	7000-1204-4	Mach 1 SL Gun	1	2665
2	71-1205	Air Hose Ass'y	1	—
3	71-3303	Fluid Hose Ass'y	1	—
4	818160	Gemini Pump Pkg.	1	81816X

GENERAL DESCRIPTION

This (5) gallon pail system is complete with Mach 1 SL Gun w/94 x 94P set-up, 1:1 Gemini 1/2" diaphragm pump w/air control and 25 ft. fluid and air hose assemblies.



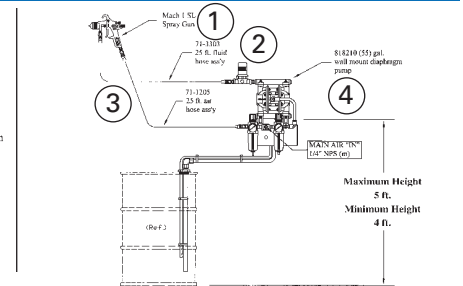
MODEL #98-3023

SYSTEM COMPONENTS LIST

Item No.	Part No.	Description	Qty.	Part Sheet
1	6211-2800-7	2001 Gun	1	2316
2	71-1205	Air Hose Ass'y	1	—
3	71-3303	Fluid Hose Ass'y	1	—
4	818160	Gemini Pump Pkg.	1	81816X

GENERAL DESCRIPTION

This (5) gallon pail system is complete with 2001 gun w/63BSS x 63PB 1:1 Gemini 1/2" diaphragm pump w/air control and 25 ft. fluid and air hose assemblies.



MODEL #98-3024

SYSTEM COMPONENT LIST

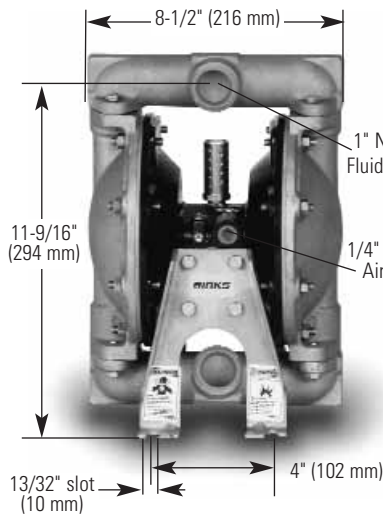
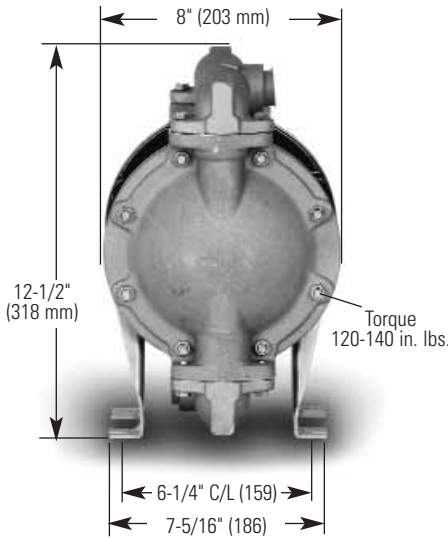
Item No.	Part No.	Description	Qty.	Part Sheet
1	7000-1204-4	Mach 1 SL Gun	1	2665
2	71-3303	Fluid Hose Ass'y	1	—
3	71-1205	Air hose Ass'y	1	—
4	818210	Gemini Pump Pkg.	1	81821X

GENERAL DESCRIPTION

This 55 gallon, wall mounted system comes complete with Mach 1 SL Gun w/94 x 94P set-up, 1:1 Gemini 1/2" Low Pulse diaphragm pump, air control, 25' air and fluid hose and 55 gallon siphon kit.

Gemini 1" Diaphragm 1:1 Pumps

Pump #818820 (Alum), #818822 (SS), #818840 (Polypro)



Performance – 100 PSI

Air Inlet Pressure 20 - 120 PSI (1.4 - 8.3 bar)
 Fluid Pressure 20 - 120 PSI (1.4 - 8.3 bar)
 Max. Flow Rate
 (Flooded Inlet) 35-GPM (133 lpm)
 Max. Particle Size 1/8" Dia (3.2 mm)
 Max. Temperature Limits 200° F (93° C)
 Flow @ 60 Cycles/Min. 9.6 GPM (36 liters)
 Displacement Per Cycle
 36.96 cu. in. (605.66 cm³)
 20.5 oz. (605.66 ml)
 .16 gal. (.60 liter)
 Cycles Per Gallon (Liter) 6.25 (1.66)
 Noise Level with muffler
 @ 70 PSI @ 60 Cycles/Min. 64.5 db(A)

Repair Kit Part Numbers

Air Motor Repair Kit 862003
 Diaphragm Repair Kit 862020
 Ball and Seat Repair Kit
 Stainless Steel (Ball/Seat) 862025
 Teflon (Ball) SS (Seat) 862026

Available Accessories

Air Filter/Regulator 849303
 Wall Mount Bracket 873115
 Siphon Kit 5' Hose with Strainer
 5 Gallon 874500
 55 Gallon 874501
 Siphon Kits Include: 5' hose, SS fittings, tube and strainer

1" Wall Mount Package

Package Includes

Wall Mount Bracket, Fluid Regulator, 2 Air Filter/Regulator, and vented shut off with lockout feature. (Model nos. 818120, 818121, see chart below)



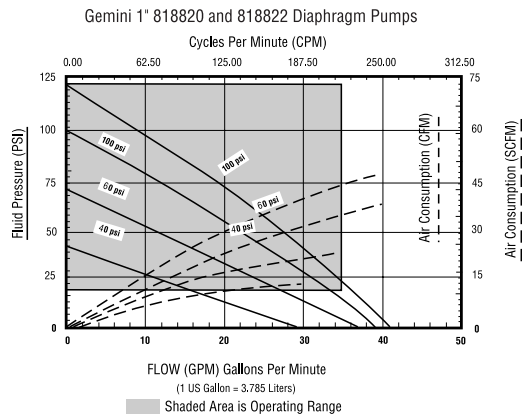
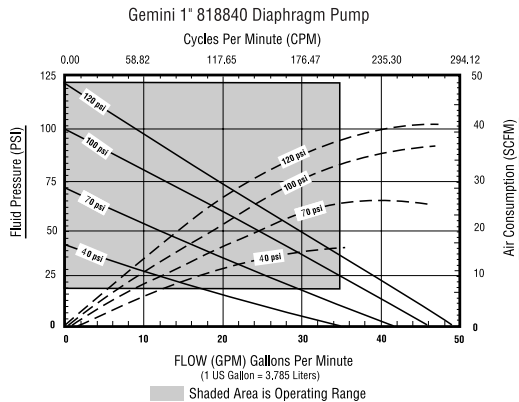
Gemini Bare Pumps 1", 1:1 – 100 PSI

MODEL	SIZE	RATIO	GPM PER CYCLE	GPM @ 60 CPM	GPM @ MAX. CPM	WETTED MATERIAL CONSTRUCTION			
						BODY	SEATS	BALLS	DIAPHRAGMS
818820	1"	1:1	0.16	9.6	35	Alum	SS	SS	Teflon
818840	1"	1:1	0.17	10.2	47	Polypro	SS	SS	Teflon
818822	1"	1:1	0.16	9.6	35	SS	SS	SS	Teflon

Gemini Pump Packages 1", 1:1 – 100 PSI

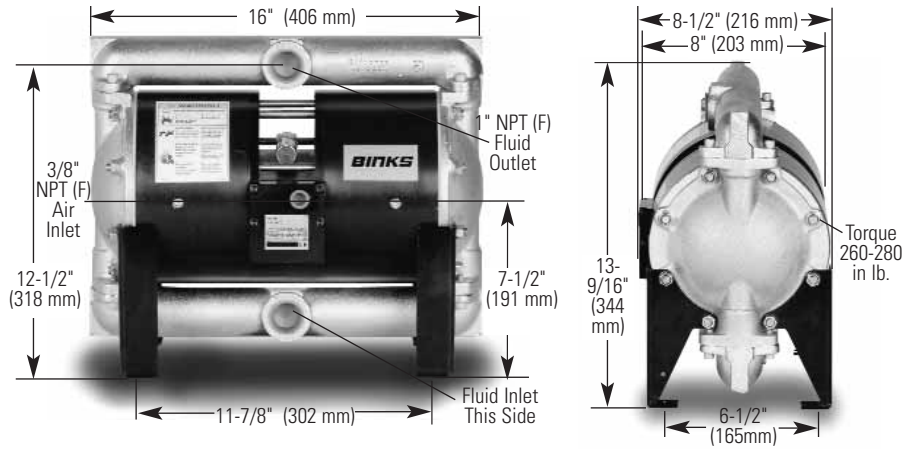
PACKAGE NUMBER	BARE PUMP NUMBER	WETTED PARTS	RATIO AND SIZE	GPM @ 60 CPM	MOUNTING	AIR ■ REGLTRS.	SUCTION HOSE W/BUNG ADAPT.	AGITATOR	PRIME VALVE	PULSE/FILTER	FLUID REG. ▶
818120	818820	Alum, Teflon	1:1, 1 NPT	9.6	wall	2	0	0	0	0	1
818121	818822	SS, Teflon	1:1, 1 NPT	9.6	wall	2	0	0	0	0	1

■ 849303 ▶ 84-320



Gemini 1" Hi-Volume 3:1 Pump

Pump #818850 (SS) – Ratio 2.65:1 Diaphragm Pump



Performance – 300 PSI

Air Inlet Pressure 20 - 100 PSI (1.4 - 6.8 bar)
Fluid Pressure 50 - 265 PSI (4 - 20.4 bar)
Inlet/Outlet 1" NPT
Max. Flow Rate	
(Flooded Inlet) 15-GPM
Max. Particle Size 1/8" Dia (3.2 mm)
Max. Temperature Limits 200° F (93°)
Flow @ 60 Cycles/Min 5.4 Gal.(20.4 liters)
Displacement Per Cycle	
20.79 cu. in. (340.7 cm ³)
11.52 oz. (340.7 ml)
.09 gal. (.34 liter)
Cycles Per Gallon (Liter) 11.1 (2.9)
Noise Level with muffler	
@ 70 PSI @ 60 Cycles/Min 84.5 db(A)

Wall Mount Bulk Transfer



These bulk transfer/high volume finishing pumps can efficiently transfer finishing coatings to a day tank. The 3:1 pump can supply large circulating systems. Both pumps are designed to handle heavy abrasive coatings. 1" inlet-outlet. *Lubrication required for 24 hours a day and 7 days a week, Operation only.*

MODEL #818100
3:1 DIAPHRAGM INCLUDES:

Pump 818800
Wall Bracket 873134
Air Control 849303
Vented Shut Off 849311

Specifications

Air Motor Unbalanced
Wetted Pump Material Stainless Steel
Diaphragm Material Teflon
Seat Stainless Steel
Balls (standard) Stainless Steel
Weight: 95 lbs (43 kgs)

Repair Kit Part Numbers

Air Motor Repair Kit 862007
Diaphragm Repair Kit 862006
Ball and Seat Repair Kit	
Stainless Steel (Ball/Seat) 862025

Gemini Bare Pump 1", 3:1 – 300 PSI

MODEL	SIZE	RATIO	GPM PER CYCLE	GPM @ 60 CPM	GPM @ MAX. CPM	WETTED MATERIAL CONSTRUCTION			
						BODY	SEATS	BALLS	DIAPHRAGMS
818850	1"	3:1	0.09	5.4	24	SS	SS	SS	Teflon

Available Accessories

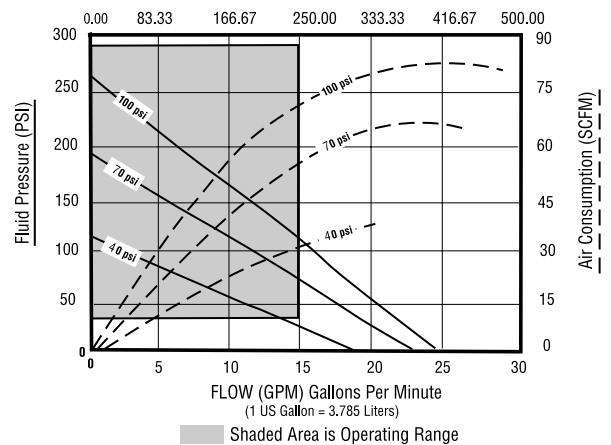
Air Filter/Regulator 849303
Wall Mount Bracket 873134

Gemini Pump Packages 1", 3:1 – 300 PSI

PACKAGE NUMBER	BARE PUMP NUMBER	WETTED PARTS	RATIO AND SIZE	GPM @ 60 CPM	MOUNTING	AIR REGLTRS.
818100	818150	SS, Teflon	3:1, 1 NPT	5.4	wall	1

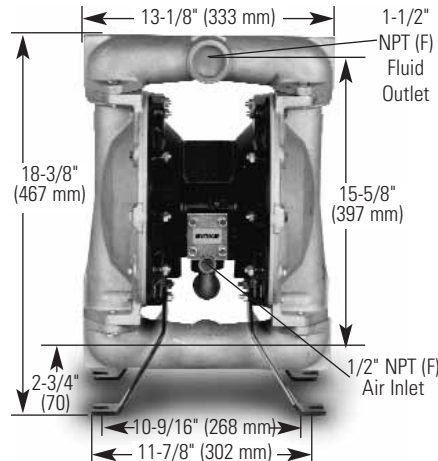
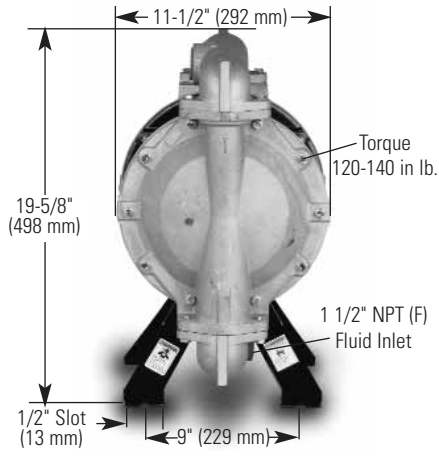
■ 849303

Gemini 3:1 High Volume SS Diaphragm Pump
Cycles Per Minute (CPM)



Gemini 1 1/2" Hi-Volume 1:1 Pump

Pump #818810 (SS) – 1 1/2" Diaphragm



Performance – 100 PSI

Air Inlet Pressure 20 - 120 PSI (1 - 8.3 bar)
 Fluid Pressure 20 - 120 PSI (1 - 8.3 bar)
 Max. Flow Rate
 (Flooded Inlet)..... 90-GPM (340.2 lpm)
 Max. Particle Size 1/4" Dia (6.4 mm)
 Max. Temperature Limits..... 150° F (66° C)
 Flows @ 60 Cycles/Min..... 43.8 Gal.(165.6 liters)
 Displacement Per Cycle
 147.8 cu. in..... (2420 cm³)
 82 oz. (2420 ml)
 .64 gal. (2.42 liters)
 Cycles Per Gallon (Liter) 1.3 (.36)
 Noise Level with muffler
 @ 70 PSI @ 60 Cycles/Min. 77.7 db(A)

Wall Mount Bulk Transfer



These bulk transfer/high volume finishing pumps can efficiently transfer finishing coatings to a day tank. The 1:1 pump can supply large circulating systems. The pump is designed to handle heavy abrasive coatings.

MODEL #818110

1 1/2" PUMP INCLUDES:

Pump	818810
Wall Bracket	873135
Air Control	849303
Vented Shut Off	849311

Specifications

Air Motor Unbalanced
 Wetted Pump Material Stainless Steel
 Diaphragm Material Teflon
 Seat Stainless Steel
 Balls Stainless Steel
 Weight 84 lbs (38.1 kgs)

Repair Kit Part Numbers

Air Motor Repair Kit	862003
Diaphragm Repair Kit	862010
Ball and Seat Repair Kit	
SS (Ball) SS (Seat)	862016
Teflon (Ball) SS (Seat)	862015

Gemini Bare Pump 1 1/2", 1:1 – 100 PSI

MODEL	SIZE	RATIO	GPM PER CYCLE	GPM @ 60 CPM	GPM @ MAX. CPM	WETTED MATERIAL CONSTRUCTION			
						BODY	SEATS	BALLS	DIAPHRAGMS
818810	1 1/2"	1:1	0.64	38	90	SS	SS	SS	Teflon
818812	1 1/2"	1:1	0.64	38	90	Alum	SS	Teflon	Teflon

Available Accessories

Air Filter/Regulator	849303
Wall Mount Bracket	873135

Gemini Pump Packages 1 1/2", 1:1 – 100 PSI

PACKAGE NUMBER	BARE PUMP NUMBER	WETTED PARTS	RATIO AND SIZE	GPM @ 60 CPM	MOUNTING	AIR REGLTRS.
818110	818810	SS, Teflon	1:1, 1 1/2 NPT	38	wall	1

849303

Gemini 1 1/2" High Volume SS Diaphragm Pump
Cycles Per Minute (CPM)

