

TWIST TIP SELECTION CHARTS

Fan width based on 2200 PSI with latex paint 12" from surface. Actual results may vary, depending on material viscosity.

PART NUMBER	DESCRIPTION	ORIFICE	FAN WIDTH (IN.)	GPM CAPACITY @2200 PSI
9-307-75	TWIST TIP	.007	6	0.05
9-309-75	TWIST TIP	.009	6	0.09
9-409-75	TWIST TIP	.009	8	0.09
9-509-75	TWIST TIP	.009	10	0.09
9-211-75	TWIST TIP	.011	4	0.12
9-311-75	TWIST TIP	.011	6	0.12
9-411-75	TWIST TIP	.011	8	0.12
9-511-75	TWIST TIP	.011	10	0.12
9-611-75	TWIST TIP	.011	12	0.12
9-213-75	TWIST TIP	.013	4	0.18
9-313-75	TWIST TIP	.013	6	0.18
9-413-75	TWIST TIP	.013	8	0.18
9-513-75	TWIST TIP	.013	10	0.18
9-613-75	TWIST TIP	.013	12	0.18
9-713-75	TWIST TIP	.013	14	0.18
9-215-75	TWIST TIP	.015	4	0.24
9-315-75	TWIST TIP	.015	6	0.24
9-415-75	TWIST TIP	.015	8	0.24
9-515-75	TWIST TIP	.015	10	0.24
9-615-75	TWIST TIP	.015	12	0.24
9-715-75	TWIST TIP	.015	14	0.24
9-217-75	TWIST TIP	.017	4	0.31
9-317-75	TWIST TIP	.017	6	0.31
9-417-75	TWIST TIP	.017	8	0.31
9-517-75	TWIST TIP	.017	10	0.31
9-617-75	TWIST TIP	.017	12	0.31
9-717-75	TWIST TIP	.017	14	0.31
9-419-75	TWIST TIP	.019	8	0.38
9-519-75	TWIST TIP	.019	10	0.38
9-619-75	TWIST TIP	.019	12	0.38
9-421-75	TWIST TIP	.021	8	0.47
9-521-75	TWIST TIP	.021	10	0.47
9-621-75	TWIST TIP	.021	12	0.47
9-523-75	TWIST TIP	.023	10	0.57
9-623-75	TWIST TIP	.023	12	0.57
9-525-75	TWIST TIP	.025	10	0.67
9-625-75	TWIST TIP	.025	12	0.67
9-627-75	TWIST TIP	.027	12	0.74
9-631-75	TWIST TIP	.031	12	1.03
9-435-75	TWIST TIP	.035	8	1.31
9-635-75	TWIST TIP	.035	12	1.31

FINE FINISH FLAT TIP SELECTION CHARTS

Fan width based on 1000 PSI with water 12" from surface. Actual results may vary, depending on material viscosity.

PART NUMBER	DESCRIPTION	ORIFICE	FAN WIDTH (IN.)	GPM CAPACITY @500 PSI WATER
9-0909-F	FINE FINISH TIP	0.009	9	0.039
9-0911-F	FINE FINISH TIP	0.009	11	0.039
9-1109-F	FINE FINISH TIP	0.011	9	0.06
9-1111-F	FINE FINISH TIP	0.011	11	0.06
9-1113-F	FINE FINISH TIP	0.011	13	0.06
9-1115-F	FINE FINISH TIP	0.011	15	0.06
9-1309-F	FINE FINISH TIP	0.013	9	0.09
9-1311-F	FINE FINISH TIP	0.013	11	0.09
9-1313-F	FINE FINISH TIP	0.013	13	0.09
9-1315-F	FINE FINISH TIP	0.013	15	0.09
9-1509-F	FINE FINISH TIP	0.015	9	0.12
9-1511-F	FINE FINISH TIP	0.015	11	0.12
9-1513-F	FINE FINISH TIP	0.015	13	0.12
9-1515-F	FINE FINISH TIP	0.015	15	0.12
9-1517-F	FINE FINISH TIP	0.015	17	0.12
9-1709-F	FINE FINISH TIP	0.017	9	0.16
9-1711-F	FINE FINISH TIP	0.017	11	0.16
9-1713-F	FINE FINISH TIP	0.017	13	0.16
9-1715-F	FINE FINISH TIP	0.017	15	0.16
9-1717-F	FINE FINISH TIP	0.017	17	0.16

STANDARD FLAT TIP SELECTION CHARTS

Fan width based on 1000 PSI with water 12" from surface. Actual results may vary, depending on material viscosity.

PART NUMBER	DESCRIPTION	ORIFICE	FAN WIDTH (IN.)	GPM CAPACITY @500 PSI WATER
114-00702	TIP ASSEMBLY	.007	2	.028
114-00704	TIP ASSEMBLY	.007	4	.028
114-00706	TIP ASSEMBLY	.007	6	.028
114-00708	TIP ASSEMBLY	.007	8	.028
114-00902	TIP ASSEMBLY	.009	2	.039
114-00906	TIP ASSEMBLY	.009	6	.039
114-00908	TIP ASSEMBLY	.009	8	.039
114-00910	TIP ASSEMBLY	.009	10	.039
114-00912	TIP ASSEMBLY	.009	12	.039
114-01104	TIP ASSEMBLY	.011	4	.060
114-01106	TIP ASSEMBLY	.011	6	.060
114-01108	TIP ASSEMBLY	.011	8	.060
114-01110	TIP ASSEMBLY	.011	10	.060
114-01112	TIP ASSEMBLY	.011	12	.060
114-01114	TIP ASSEMBLY	.011	14	.060
114-01304	TIP ASSEMBLY	.013	4	.090
114-01306	TIP ASSEMBLY	.013	6	.090
114-01308	TIP ASSEMBLY	.013	8	.090
114-01310	TIP ASSEMBLY	.013	10	.090
114-01312	TIP ASSEMBLY	.013	12	.090
114-01314	TIP ASSEMBLY	.013	14	.090
114-01316	TIP ASSEMBLY	.013	16	.090
114-01506	TIP ASSEMBLY	.015	6	.120
114-01508	TIP ASSEMBLY	.015	8	.120
114-01510	TIP ASSEMBLY	.015	10	.120
114-01512	TIP ASSEMBLY	.015	12	.120
114-01514	TIP ASSEMBLY	.015	14	.120
114-01516	TIP ASSEMBLY	.015	16	.120
114-01518	TIP ASSEMBLY	.015	18	.120
114-01706	TIP ASSEMBLY	.017	6	.160
114-01708	TIP ASSEMBLY	.017	8	.160
114-01710	TIP ASSEMBLY	.017	10	.160
114-01712	TIP ASSEMBLY	.017	12	.160
114-01714	TIP ASSEMBLY	.017	14	.160
114-01716	TIP ASSEMBLY	.017	16	.160
114-01718	TIP ASSEMBLY	.017	18	.160
114-01906	TIP ASSEMBLY	.019	6	.190
114-01908	TIP ASSEMBLY	.019	8	.190
114-01910	TIP ASSEMBLY	.019	10	.190
114-01912	TIP ASSEMBLY	.019	12	.190
114-01914	TIP ASSEMBLY	.019	14	.190
114-01916	TIP ASSEMBLY	.019	16	.190
114-01918	TIP ASSEMBLY	.019	18	.190
114-02110	TIP ASSEMBLY	.021	10	.240
114-02112	TIP ASSEMBLY	.021	12	.240
114-02114	TIP ASSEMBLY	.021	14	.240
114-02116	TIP ASSEMBLY	.021	16	.240
114-02118	TIP ASSEMBLY	.021	18	.240
114-02410	TIP ASSEMBLY	.024	10	.310
114-02412	TIP ASSEMBLY	.024	12	.310
114-02414	TIP ASSEMBLY	.024	14	.310
114-02416	TIP ASSEMBLY	.024	16	.310
114-02418	TIP ASSEMBLY	.024	18	.310
114-02710	TIP ASSEMBLY	.027	10	.385
114-02712	TIP ASSEMBLY	.027	12	.385
114-02714	TIP ASSEMBLY	.027	14	.385
114-02716	TIP ASSEMBLY	.027	16	.385
114-02718	TIP ASSEMBLY	.027	18	.385

TWIST TIP NOTE

When switching from flat tip to twist tip, increase pattern size by 2 inches and use air adjustment to turn down to desired size.

FULL GUN ASSEMBLIES

DESCRIPTION	ASS'Y NUMBER
AA1600M HVLP FLAT TIP GUN ASSEMBLY (NO TIP INCL.)	0909-1600-HF0000
AA1600M HVLP FLAT TIP GUN ASSEMBLY (W/114-01310 TIP)	0909-1600-HF1310
AA1600M HVLP FLAT TIP GUN ASSEMBLY (W/114-01510 TIP)	0909-1600-HF1510
AA1600M HVLP FLAT TIP GUN ASSEMBLY (W/114-01514 TIP)	0909-1600-HF1514

DESCRIPTION	ASS'Y NUMBER
AA1600M HVLP TWIST TIP GUN ASSEMBLY (NO TIP INCL.)	0909-1600-HT0000
AA1600M HVLP TWIST TIP GUN ASSEMBLY (W/9-613-75 TIP)	0909-1600-HT0613
AA1600M HVLP TWIST TIP GUN ASSEMBLY (W/9-615-75 TIP)	0909-1600-HT0615
AA1600M HVLP TWIST TIP GUN ASSEMBLY (W/9-715-75 TIP)	0909-1600-HT0715

AA1600M AIR-ASSIST AIRLESS SPRAY GUN

PARTS LIST

When ordering, please specify Part No. (Not all Part Nos. are available for purchasing.)

Refer to page 12 when referencing Item Nos.

ITEM NO.	PART NO.	DESCRIPTION	QTY.	ITEM NO.	PART NO.	DESCRIPTION	QTY.
1	—	GUN BODY.....	1	9	SN-402-K	AIR VALVE ASSEMBLY	1
2	SPA-71-K5	BAFFLE PLATE (KIT OF 5)	1	10	— ▲	TRIGGER.....	1
FLAT TIP COMPONENTS				11	54-5892	FLUID TUBE ASSEMBLY	1
3	54-5811-K †	FLUID SEAT (1600PSI)	1	11A	54-5780	FLUID TUBE ASSEMBLY	1
		(UHMW STANDARD, OPTIONAL TUNGSTEN CARBIDE 54-5799-K)		11B	54-5788-K5	FLUID FILTER 60 MESH (KIT OF 5)	1
4	SPA-98-K5	GASKET (KIT OF 5)	1		54-5789-K5	FLUID FILTER 100 MESH (KIT OF 5)	1
5	114-XXXXX ■	FLAT TIP (FINE FINISH TIPS 9-XXXX-F).....	1	11C	X	TOP FILTER SEAL.....	1
6	54-5795-K ▼	FLAT TIP HVLP AIRCAP KIT	1	11D	X	BOTTOM FILTER SEAL	1
		(FLAT TIP LVMP AIRCAP 54-5797-K)		11E	—	FLUID INLET SWIVEL (1/4" NPS).....	1
7	54-5852	RETAINING RING.....	1	11F	—	FILTER ADAPTER NUT.....	1
8	54-5794 ○	FLAT TIP GUARD.....	1	12	54-1835	FLUID FILTER 100 MESH	1
TWIST TIP COMPONENTS				13	— ➤	FLUID INLET SWIVEL (1/4" NPS).....	1
3A	54-5833-K †	TWIST TIP FLUID SEAT (1600PSI).....	1	14	— ➤	FILTER ADAPTER NUT.....	1
		(UHMW STANDARD, OPTIONAL TUNGSTEN CARBIDE 54-5832-K)		15	SN-9-K3	AIR INLET FITTING 1/4" NPS (KIT OF 3).....	1
5A	9-XXX-75 ■	TWIST TIP	1	16	— ●	FILTER BRACKET SCREW	1
5B	54-5922-K2	TWIST TIP BRACE (KIT OF 2)	1	17	— ●	FILTER BRACKET	1
5B2	54-5801-K2	ALTERNATE TWIST TIP BRACE (KIT OF 2).....	1	18	54-5825	STANDARD FLUID NEEDLE ASSEMBLY KIT (1600PSI)	1
		(FOR 54-5796-K AND 54-5798-K AIR CAPS FOR SPRAY GUNS PRIOR TO DATE 1/20/2013)			54-5887	OPTIONAL ACID CATALYZED FLUID NEEDLE ASSEMBLY KIT (1600PSI)	1
6A	54-5924-K ▼	TWIST TIP HVLP AIRCAP KIT	1	19	54-5850	BLANKING NEEDLE NUT	1
		(TWIST TIP LVMP AIRCAP 54-5925-K)		22	54-5815	SPREADER VALVE ASSEMBLY.....	1
7A	54-5928	RETAINING RING.....	1	23	— #	BODY BUSHING	1
8A	54-5921 ○	TWIST TIP GUARD	1	24	— #	BODY BUSHING GASKET.....	1
9A	54-5930 ○	TWIST TIP GUARD SCREW.....	1	25	— ▲	TRIGGER NUT.....	1
▼ All aircap kits are pre-assembled with Retaining ring and appropriate tip guard. When switching from flat tip to twist tip, or vice versa, be sure to order correct fluid seat (3/3A). For twist tip, item 5B will also be needed.				26	— ▲	TRIGGER SCREW	1

- Refer to page 10 for available tip sizes. When purchasing twist tip, discard packaged brace/seal and use Item 5B only.
- † Pre-assembled with gasket SPA-98.
- ▲ Available as part of kit 54-5835.
- Available as part of kit 54-5838. Order Filter (12) separately.

- Available as part of kit 54-5827.
- # Available as part of kit 54-5829.
- Mandatory for operating pressures above 1000 psi.

ACCESSORIES

HOSES

71-4990	15' Polyurethane Air Tubing ASM w/fittings, 3/8" O.D., 1/4" I.D.
71-4991	25' Polyurethane Air Tubing ASM w/fittings, 3/8" O.D., 1/4" I.D.
71-4992	15' 1/8" High Pressure Fluid Hose Assembly
71-4993	25' 1/8" High Pressure Fluid Hose Assembly
71-4995	25' 3/16" Low Pressure (1900PSI Max) Fluid Hose Assembly

FITTINGS

54-4976-K3	3-Pack 1/4" NPT(f) x 3/8" O.D. Push-In Tube Fitting (optional)
71-28	D.M. Nipple (1/8" NPT x NPS) w/o filter applications
72-2332	Fluid Inlet Swivel (1/4" M x 1/4" F)
54-5897	JIC (1/2) Fluid Fitting for 54-5892 Fluid Tube Assy.

FLUID FILTER

54-5788-K5	60 Mesh (Screen) Gun Mounted Filter
54-5789-K5	100 Mesh (Screen) Gun Mounted Filter
54-1835	100 Mesh (Edge Filter)
54-1836	60 Mesh (Edge Filter)

FLUID REGULATOR

845001	Med Pressure Reg. w/Gauge, 6Gpm, 100 to 800 PSI reg range
845010	Med Pressure Reg. w/Gauge, 3Gpm, 400 to 1250 PSI reg range

CLEANING KIT

54-4994	Cleaning Kit: Includes one standard stiff nylon pipe cleaning brush, full-size nylon brush, tip cleaner and Binks Gunners Mate lubricant.
---------	---

HVLP AIRCAP TEST KITS

54-5836-K	Flat Tip HVLP Aircap Test Kit (Incl Gauge)
54-5932-K	Twist Tip HVLP Aircap Test Kit (Incl Gauge)

TEST GAUGES

54-5327	HVLP Test Gauge
---------	-----------------

GUN LUBE

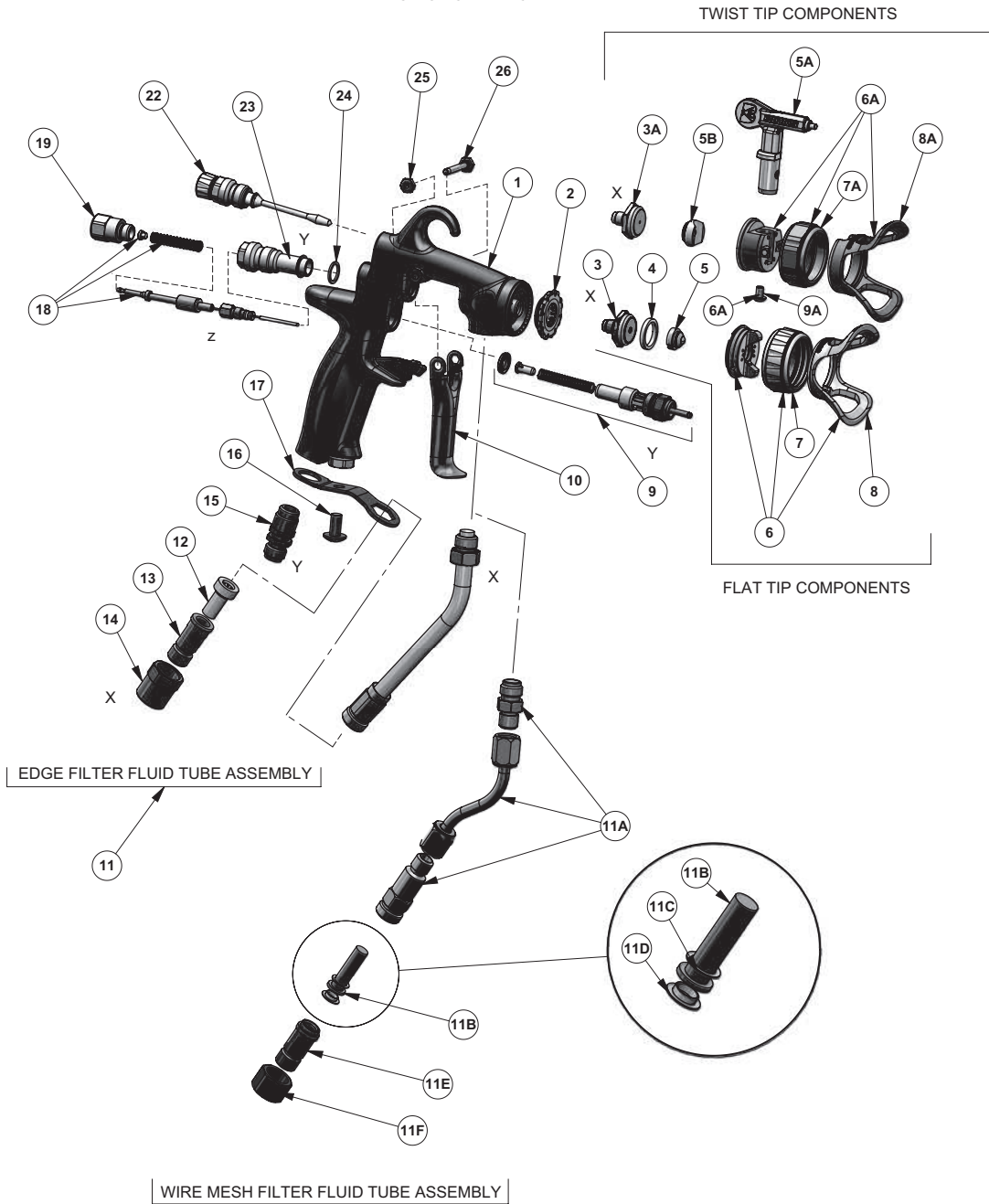
6-429	Binks Gunners Mate gun lube, 2 oz. bottle (20/box)
-------	--

AA1600M AIR-ASSIST AIRLESS SPRAY GUN

X TIGHTEN 9 YO 11 FT-LBS

Y TIGHTEN 18 TO 22 FT-LBS

Z DO NOT OVER TIGHTEN



WARRANTY

This product is covered by Binks' 1 Year Limited Warranty.

Binks Sales and Service: www.binks.com



U.S.A./Canada Customer Service
195 Internationale Blvd.
Glendale Heights, IL 60139
630-237-5000

Toll Free Customer Service
and Technical Support
800-992-4657

Toll Free Fax
888-246-5732