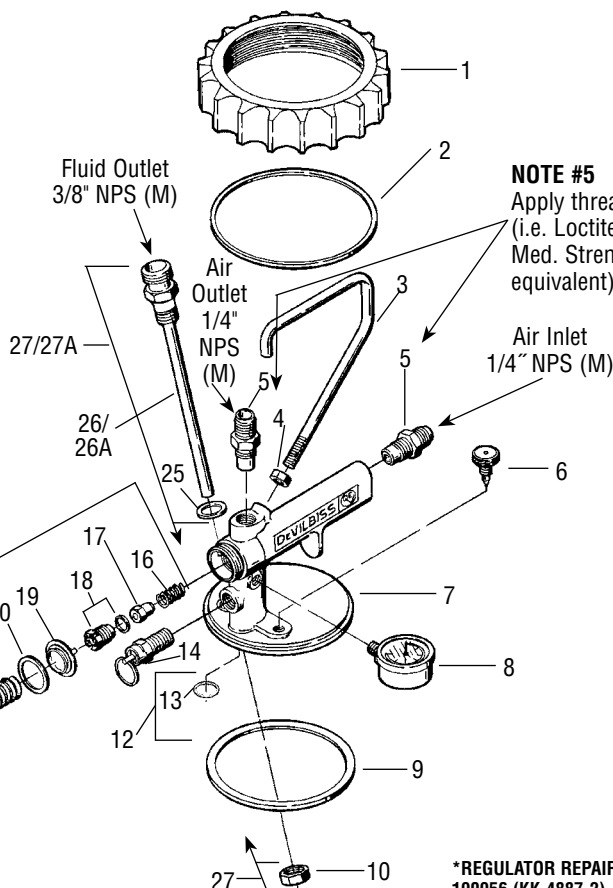
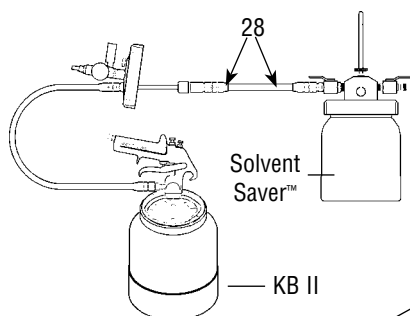


Refer to Service Bulletin: SB-4-205

Customer Service
1-800-445-3988

KB II™ Pressure Cup 120033 (KB-555)

KK-5052 ADAPTER FITTING & HOSE KIT
Allows flushing of cup tube, hose and gun using SolventSaver™. Kit includes: HD-410 adapter fitting and 2' hose assembly.



NOTE #5
Apply thread sealant (i.e. Loctite #242 Med. Strength Blue or equivalent) onto threads.

***REGULATOR REPAIR KIT**
190956 (KK-4887-2)
Consists of:

Ref. No.	Description	Qty.
16	Valve Spring	1
17	Valve, Teflon	1
18	Valve Seat and Gasket Assembly	1
19	Diaphragm	1
20	Slip Ring	1

◇ALUMINUM FLUID TUBE KIT
190864 (KK-4997)
(Not waterborne compatible)
Consists of:

Ref. No.	Description	Qty.
10	Locknut	1
25	Gasket	1
26	Fluid Tube Assembly	1

◆STAINLESS STEEL FLUID TUBE KIT
190863 (KK-4996)
For waterborne compatibility use
KK-5051 disposable cup liners and
KK-4996 Fluid Tube Kit
Consists of:

Ref. No.	Description	Qty.
10A	Locknut	1
25A	Gasket	1
26A	Fluid Tube Assembly	1

Ref. No.	Order No.	Model No.	Description	Ind. Parts Required
1	190573	KB-64	Retaining Ring	1
•2	190577	KB-81-K5	Slip Ring (Kit of 5)	1
+3	190575	KB-74	Handle – Secondary	1
4	—	—	Nut 5/16"-18 (purchase locally)	1
5	190287	P-MB-51	Adapter	2
•6	190574	KB-66	Pressure Bleed Valve (For KB-555)	1
7	190901	KB-70	Lid w/handle (For KB-555)	1
8	190761	GA-355	Pressure Gauge 0-30 PSI	1
•9	190576	KB-80-K5	Gasket (Kit of 5)	1
◇10	190249	MBD-11-K5	Locknut (For KB-555, Kit of 5)	1
◆10A	—	—	Locknut	1
11	190578	KB-422	2 qt. cup (For KB-555)	1
•12	191200	KB-432-K3	Check Valve (Kit of 3)	1
•13	190692	KB-85-K5	Gasket (Kit of 5)	1
14	190582	TIA-4355	Safety Valve	1
15	190848	KB-428-1	Regulator Assembly	1
*16	—	—	Valve Spring	1
*17	—	—	Valve, Teflon®	1
*18	—	—	Valve Seat & O-Ring Assembly	1
*19	—	—	Diaphragm, Teflon® protected	1
*20	—	—	Slip Ring	1
21	—	—	Regulator Spring	1
22	—	—	Nut	1
23	—	—	Adjusting Screw	1
24	—	—	Bonnet	1
◆◇25	190175	KB-60-K6	Gasket (Kit of 6)	1
◇26	—	—	Fluid Tube Assembly (Aluminum)	1
◆26A	—	—	Fluid Tube Assembly (Stainless Steel)	1
27	190864	KK-4997	Fluid Tube Kit – (Aluminum For KB-555)	1
27A	190863	KK-4996	Fluid Tube Kit – (Stainless Steel)	1
28	192026	KK-5052	Adapter Fitting & Hose Kit	1
29	192025	KK-5051	Cup Liner Kit	1

* These parts are included in the Regulator Repair Kit KK-4887-2.

• Recommended spare parts.

+ A secondary handle (3) has been provided with each cup. May be used for "Belt Hanging."

◇ These parts are included in Ref. No. 27, Fluid Tube Kit – Aluminum (KK-4997).

◆ These parts are included in Ref. No. 27A, Fluid Tube Kit – Stainless Steel (KK-4996).

® Registered Trademark of DuPont deNemours.

Suffixes: -K2, -K3, -K5, K6 designates kits of multiple parts. Example: KB-81-K5 is a kit of 5 Slip Rings.